

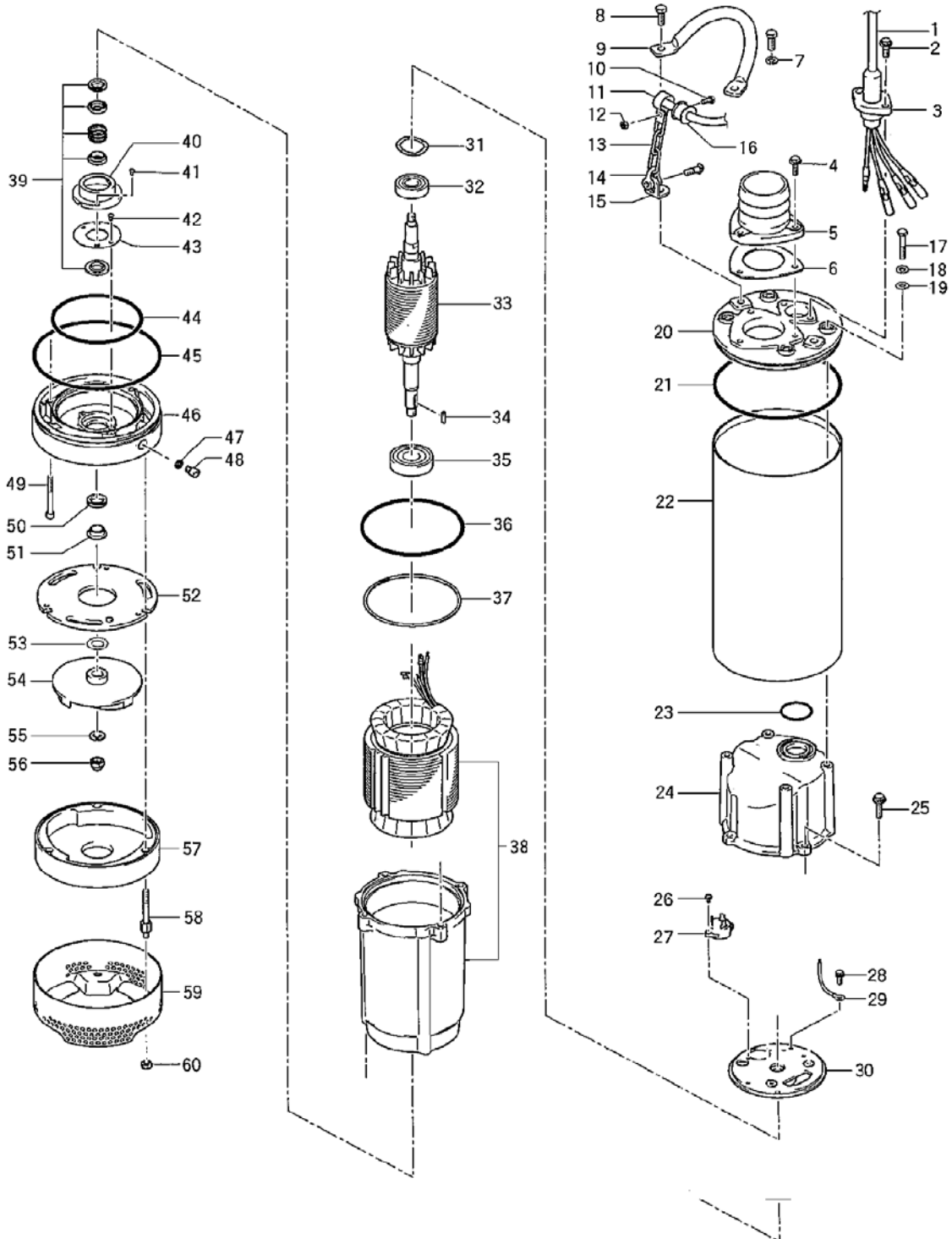
PARTS LIST		CONTRACTOR PUMP				3/7/2019
ITEM	PART No.	DESCRIPTION	QTY	SIZE	MATERIAL	NOTES
1	001-006-38	Cabtyre Cable Set (50') 60Hz(USA)	1	2PNCTF4Cx1.25mm2	LBT-1500	
2	140-477-12	Hex.Bolt (w/Plain Washer)	2	M8x30	SUS304	
3	003-000-22	Gland	1	LB-1500	ADC	
4	140-477-12	Hex.Bolt (w/Plain Washer)	3	M8x30	SUS304	
5	032-355-15	Hose Coupling	1	NPT-3(KTV2-15)	FC	
6	121-001-09	Packing	1	KTV2-15/22	NBR	*
7	142-128-24	Plain Washer	1	M10	SPC	
8	140-075-16	Hex.Bolt	2	M10x25	SUS304	
9	068-000-25	Handle	1	LB-1500	SGP	
10	140-032-37	Hex.Bolt	1	M6x15	SWRM	
11	010-120-18	Cable Clip	1	No.2-1	SPC	
12	141-004-59	Hex.Nut	1	M6	SWRM	
13	095-131-18	Chain	1	4mm(3L)	SS	
14	011-101-19	Shackle	1	6mm	SS	
15	070-117-11	L-Shape Fitting	1	40x25x4.5t d13Hole	SPC	
16	010-000-31	Cable Clip Rubber	1	No.5	NBR	
17	140-060-18	Hex.Bolt	4	M8x50	SUS304	
18	142-163-18	Spring Washer	4	M8	SUS304	
19	142-337-15	Seal Washer	4	SM-8	SUS+NBR	*
20	050-000-53	Motor Bracket	1		ADC	
21	122-172-18	O-Ring	1	V-175(173xd4)	NBR	*
22	065-000-38	Outer Cover	1	LB-1500	SPCC	
23	122-119-17	O-Ring	1	G-40(39.4xd3.1)	NBR	*
24	051-000-31	Head Cover	1		ADC	
25	140-432-15	Hex.Bolt (w/Spring Washer/Plain Washer)	4	M8x30	SUS304	
26	143-087-23	Pan Screw (w/Spring Washer)	2	M4x10	SWRM	
27	053-001-57	Motor Protector 230V-60Hz(USA)	1	KA313-GGVL103J	(T.C)	
	053-421-18	Motor Protector 460V-60Hz(USA)	1	KA313-GQXL102	(T.C)	
28	140-000-44	Hex.Bolt (w/Spring Washer/Plain Washer)	1	M4x8	SWRM	
29	009-000-94	Earth Terminal	1Set	AWG14x280L	HVSF	
30	051-000-33	Head Cover	1		ADC	
31	142-195-19	Wave Washer	2	6204/6303(d47x,0.3t)	SK5	
32	052-108-13	Bearing	1	6305ZZC3		
33	055-001-51	Rotor	1Set	w/Bearing		
34	147-000-34	Impeller Key	1	5x5x20L	SUS403	
35	052-187-16	Bearing (w/O-ring)	1	AC-6204ZZC3		
36	122-139-13	O-Ring	1	G-140(139.4xd3.1)	NBR	*
37	121-001-00	Packing	1	d132xd139x2t	NBR	*
38		Stator(w/M.Frame) 230V-60Hz(USA)	1Set			

PARTS LIST		CONTRACTOR PUMP				3/7/2019
ITEM	PART No.	DESCRIPTION	QTY	SIZE	MATERIAL	NOTES
		Stator(w/M.Frame) 460V-60Hz(USA)	1Set			
39	025-000-06	Mechanical Seal	1	H-20T(E)	SIC	
40	030-144-13	Oil Lifter	1	H-20(A)(T)	Resin	
41	143-070-23	Pan Screw	2	M5x6	SWRM	
42	143-070-10	Pan Screw	2	M5x6	SWRM	
43	030-155-17	Seal Stopper	1	H-20(KTV2)	SPCC	
44	122-135-19	O-Ring	1	G-120(119.4xd3.1)	NBR	*
45	122-172-18	O-Ring	1	V-175(173xd4)	NBR	*
46	029-000-69	Oil Casing	1		FC	
47	121-246-11	Packing	1	d10.3xd16x2t	PE	*
48	035-124-12	Oil Plug	1	M10x15	SUS304	
49	140-257-14	Hex.Socket Cap Bolt	3	M6x40	SUS304	
50	122-443-13	V-Ring	1	VR-20	NBR	
51	071-297-19	Shaft Sleeve	1	d16xd20x10l	SUS304	
52	031-000-13	Wear Ring	1	LB-1500	BR+NR	
53	040-000-09	Impeller Shim		d16.2xd26x0.3t	SUS304	
54	021-007-01	Impeller (60Hz)	1	LBT-1500-60	HiCrFC	
55	142-165-10	Spring Washer	1	M12	SUS304	
56	141-032-14	Hex.Cap Nut	1	M12	SUS304	
57	020-002-05	Pump Casing	1	LB-1500	BR+NR	
58	144-000-40	Stud Bolt	3	M8x88(13/21)	SUS403	
59	023-000-76	Strainer Stand	1	LB-1500	SPC	
60	141-005-18	Hex.Nut	3	M8	SUS304	
	173-001-59	<b>Packing O-Ring Set</b>	1Set	(Marked by *)		
6	121-001-09	Packing (Hose Coupling)	1	KTV2-15/22	NBR	*
19	142-337-15	Seal Washer (Head Cover Bolt)	4	SM-8	SUS+NBR	*
21	122-172-18	O-Ring (Out.Cover/Head Cover)	1	V-175(173xd4)	NBR	*
23	122-119-17	O-Ring (P.Head Cover/M.Head Cover)	1	G-40(39.4xd3.1)	NBR	*
36	122-139-13	O-Ring (M.Head Cover/M.Frame)	1	G-140(139.4xd3.1)	NBR	*
37	121-001-00	Packing (M.Head Cover/M.Bracket)	1	d132xd139x2t	NBR	*
44	122-135-19	O-Ring (M.Frame/O.Casing)	1	G-120(119.4xd3.1)	NBR	*
45	122-172-18	O-Ring (Out.Cover/O.Casing)	1	V-175(173xd4)	NBR	*
47	121-246-11	Packing (Oil Plug)	1	d10.3xd16x2t	PE	*
		Lubricant		Turbine Oil VG32 370ml		

PARTS LIST		CONTRACTOR PUMP					3/7/2019
ITEM	PART No.	DESCRIPTION	QTY	SIZE	MATERIAL	NOTES	

## EXPLODED VIEW

LBT-1500-50/60



C-00850-2